

MODEL : PRB - 20A
 CODE:20B1
 WEIGHT : 155 gr
 (72 x86 x60) mm
 IP30

①

Features

- Complete protection of electric devices versus voltage increase and decrease
- Three LED to announce
 - DELAY/RELAY: timing and relay connection
 - OVER V: voltage increase
 - UNDER V: voltage decrease
- Capability to cross high Amperes no need for external contactor
- Capability to be installed after meter in order to protect all home appliances

Technical Specifications

- Supply voltage: 170-255V ~ / 50-60Hz
- Disconnection for
 - Voltage increase: 250V
 - Voltage decrease: 175V
- Delay time
 - Connection: 180 Sec
 - Disconnection: 1 Sec
- Efficiency at
 - Temperature: -20°C .. +65°C
 - Humidity: 70%
- Output: 20A relay

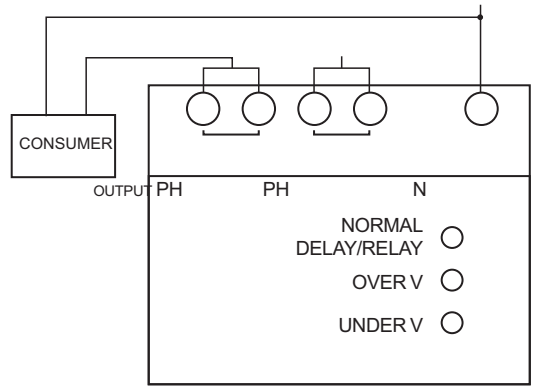
②

Installation Instruction

Shiva Amvaj Voltage Protection Relay can be installed on the rail inside panel or on wall and other surfaces using special rail embedded in package. To install on panel you can use Shiva Amvaj panel frame.(if panel frame is needed, ask seller for free)
 After installing, connect phase and null to N and PH terminals respectively. Pay your attention to avoid interchanging phase and null.

③

VER:9801



④

Now it is possible to connect consumer's phase to output terminals. Use proper cable shoe inside package to connect wires.

After connecting power, the yellow LED will blink if normal voltage is in the range of 175-250V and will be turned on permanently after 3 minutes then output relay gets connected.
 If confronting abnormal voltage, one of red LEDs will be turned on according to error type and relay will be disconnected after one second.

OVER V LED for high voltage error and UNDER V LED for low voltage error will be turned on.

Note: all your devices in your office or home will be protected against electric oscillations if using Shiva Amvaj Voltage protection Relay after 25A meter. If current more than 25A is needed take device out of circuit.

⑤



Respecting the customer is our duty

- 3 year no question asked guarantee under these conditions;
- 1-at most it should be within 3 years from the date printed on the label of the product
- 2-the label on the product should be safe and sound

Shiva Amvaj products in accordance with international standards and with a 3 year no question asked guarantee are presented



customer support: (+98)3135723690-1
 sale: (+98)3135723444-5 fax: (+98)3135723400

Email: info@shivaamvaj.com

Shiva Amvaj Company is also presenting services in cyberspace

Shiva Amvaj number: 0098 913 403 4351

⑥

WWW.SHIVAAMVAJ.COM

WWW.SHIVAAMVAJ.COM